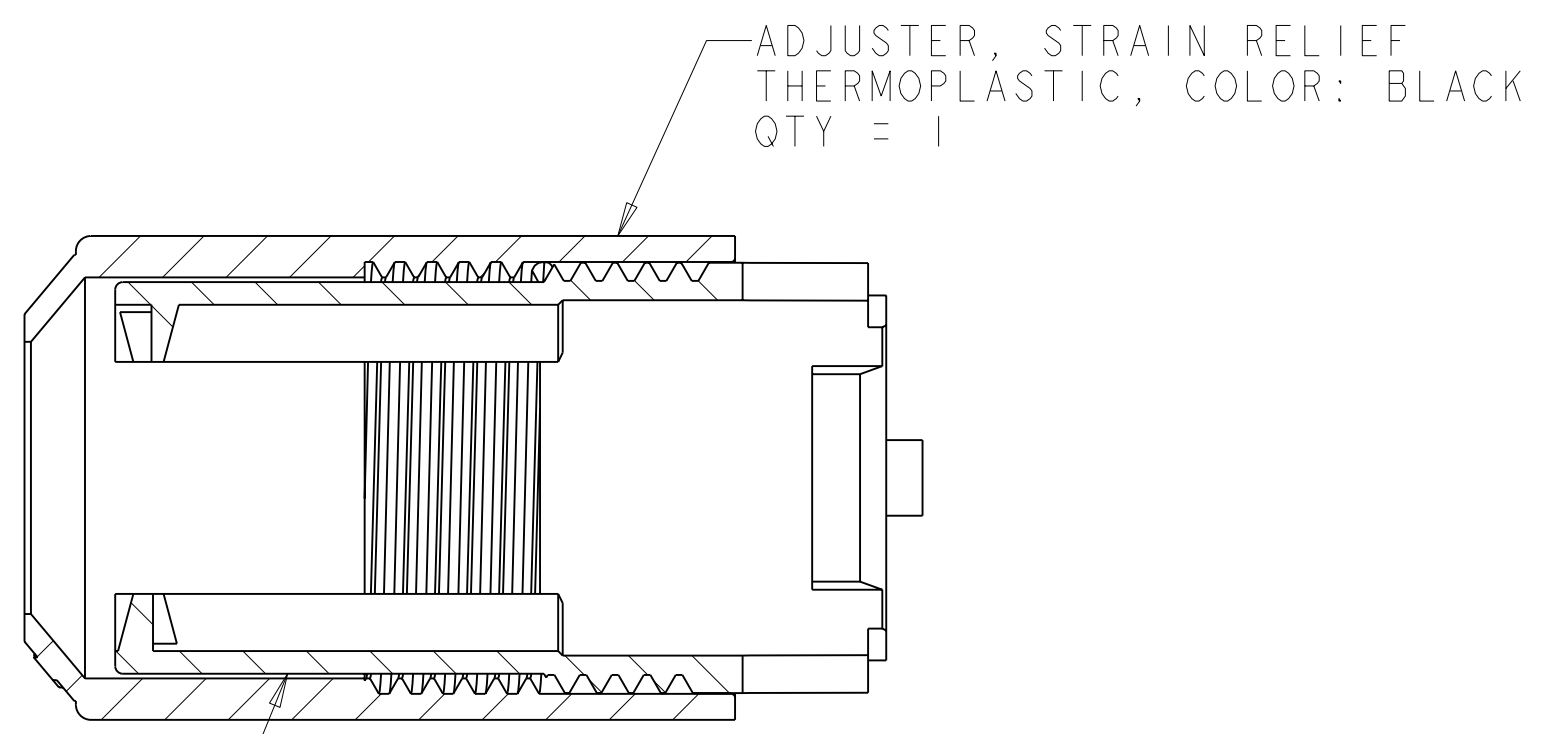
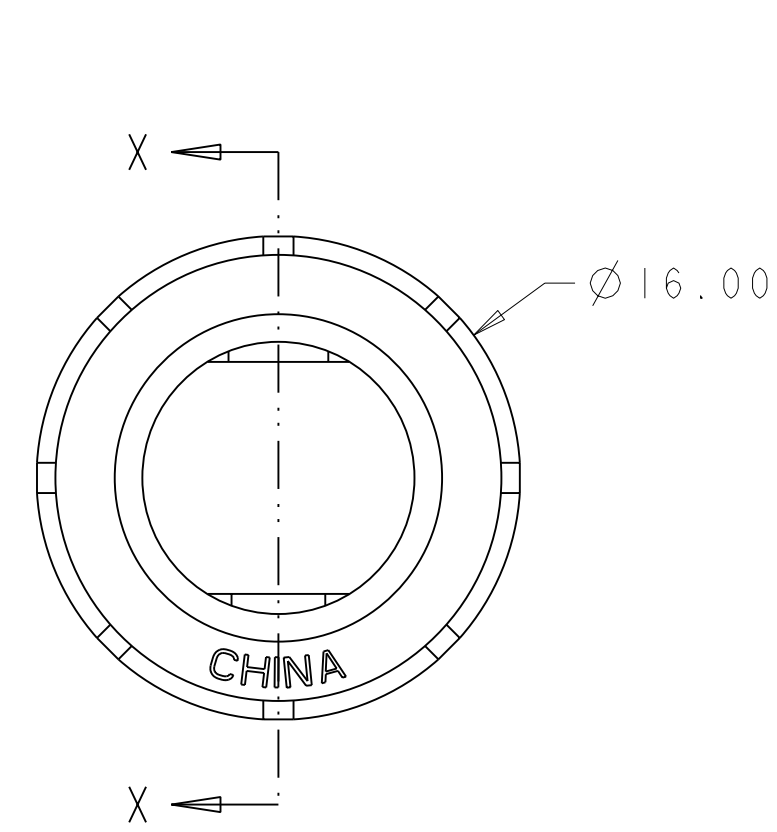
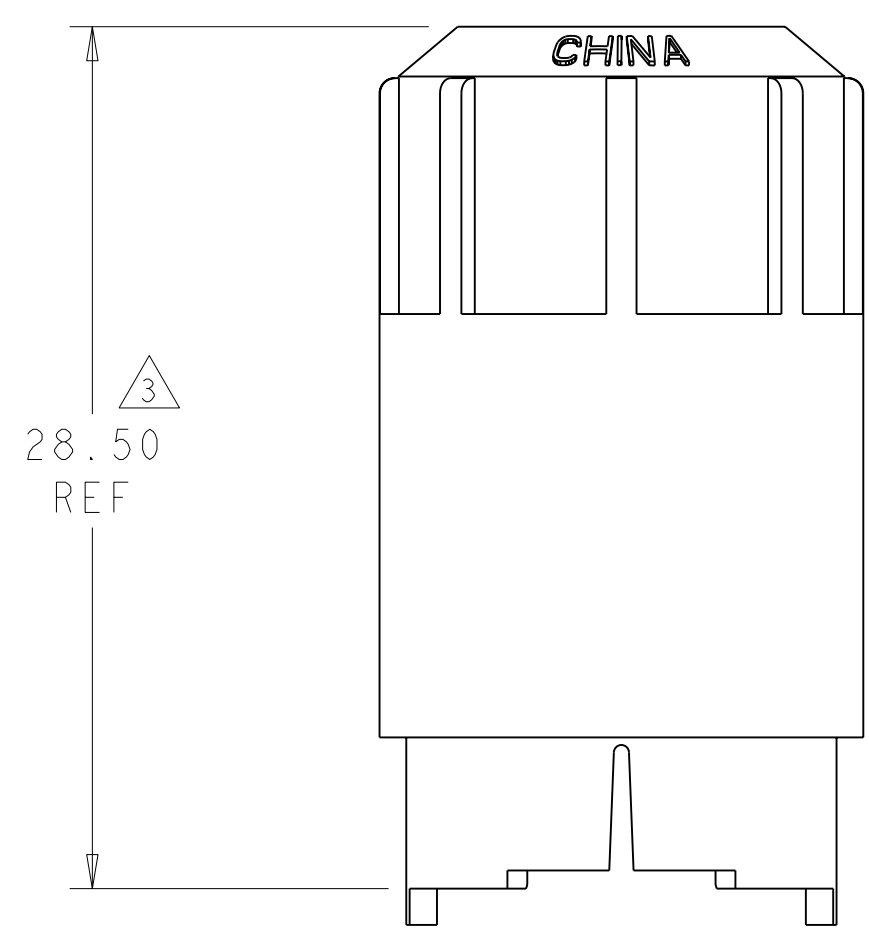


THIS DRAWING IS UNPUBLISHED. RELEASED FOR PUBLICATION 20
 © COPYRIGHT 20 BY TYCO ELECTRONICS CORPORATION. ALL RIGHTS RESERVED.

LOC		DIST		REVISIONS			
P	LTR	DESCRIPTION	DATE	DWN	APVD		
		0	RELEASED	20JAN2006	SW	DC	



SECTION X-X



1. PARTS PACKAGED UNASSEMBLED.
 2. Ø8.75 MAX CABLE.
- △ LENGTH SHORTENS AS CABLE DIAMETER OR BUNDLE SIZE BECOMES SMALLER.

INDIVIDUAL	1604204-2
BULK	1604204-1
PACKAGING	PART NUMBER

<small>THIS DRAWING IS A CONTROLLED DOCUMENT FOR TYCO ELECTRONICS CORPORATION IT IS SUBJECT TO CHANGE AND THE CONTROLLING ENGINEERING ORGANIZATION SHOULD BE CONTACTED FOR THE LATEST REVISION.</small>		DWN S W I E S T 27MAR2002	tyco Tyco Electronics Electronics Harrisburg, PA 17105-3608	
DIMENSIONS: mm		CHK G D O U T Y 27MAR2002	NAME ASSEMBLY, STRAIN RELIEF, 19 POS, MICRO CPC	
TOLERANCES UNLESS OTHERWISE SPECIFIED: 0 PLC ± 1 PLC ± 2 PLC ±0.13 3 PLC ± 4 PLC ± ANGLES ±		APVD D C O U R S 20JAN2006	SIZE A2	
MATERIAL SEE CALLOUT		PRODUCT SPEC -	CAGE CODE 00779	DRAWING NO C=1604204
		APPLICATION SPEC -	RESTRICTED TO -	
		WEIGHT -	SCALE 4:1	
		CUSTOMER DRAWING		SHEET 1 OF 1 REV 0